



Product Line Sheet



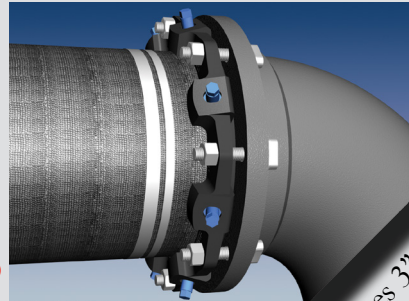
www.ebaa.com
contact@ebaa.com

Ductile Iron Pipe Restraints

Series 1100

Mechanical Joint Restraint for Ductile Iron Pipe

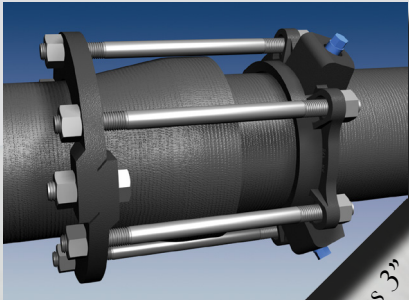
MEGALUG®



Sizes 3" - 54"

Series 1700

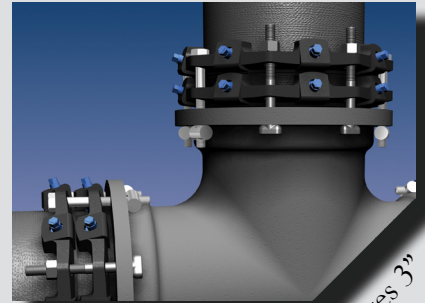
MEGALUG Restraint for Push-On Joints on Ductile Iron Pipe



Sizes 3" - 48"

Series 1100TDM

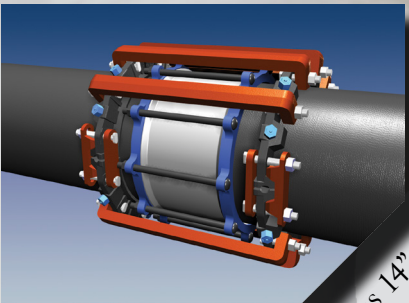
Mechanical Joint Restraint for High Pressure on Ductile Iron Pipe



Sizes 3" - 48"

Series 1100CH

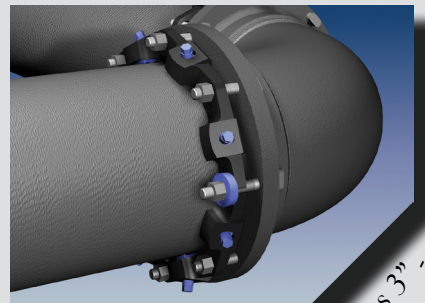
Split Restraint Harness for Couplings



Sizes 14" - 36"

Series 1100SD

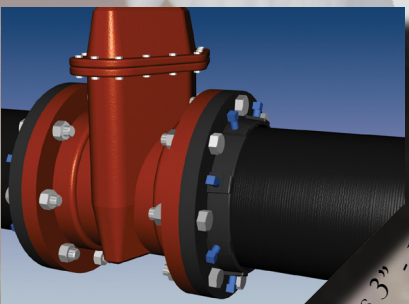
MEGALUG Restraint for Existing Mechanical Joints on Ductile Iron Pipe



Sizes 3" - 48"

Series 1000

E-Z Flange™ Ductile Iron Flange Adapter

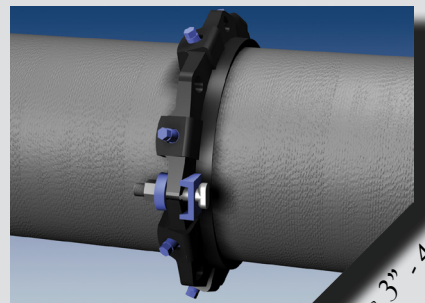


Sizes 3" - 12"



Series 1100SDB

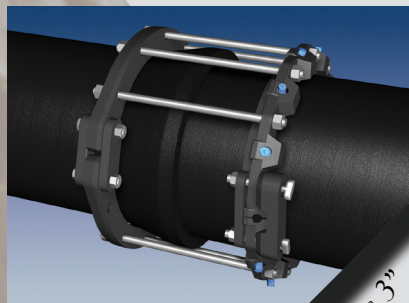
MEGALUG Mid Span Restraint for Ductile Iron Pipe



Sizes 3" - 48"

Series 1100HD

MEGALUG Restraint for Existing Push-On Joints on Ductile Iron Pipe



Sizes 3" - 48"

See 2100 MEGA-FLANGE® for larger sizes and higher pressure ratings, back page.

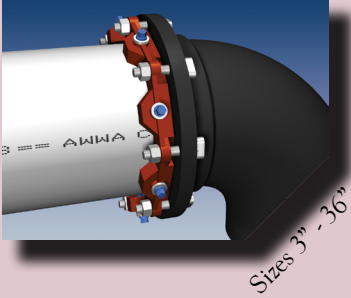
EBA Iron Sales, Inc.

P.O. Box 857 Eastland Texas 76448 • 254.629.1731 • 800.433.1716 • FAX 254.629.8931 • www.ebaa.com

PVC Pipe Restraints

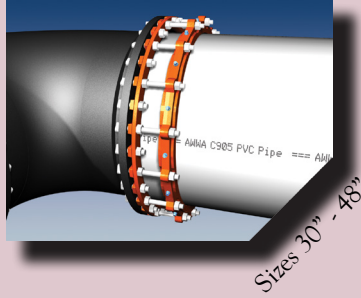
Series 2000PV

Mechanical Joint Restraint on C900, C905 and IPS PVC Pipe



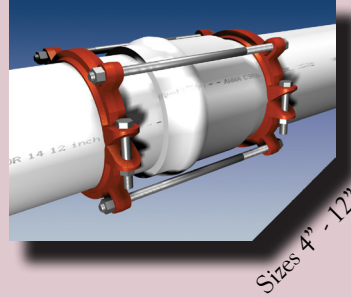
Series 2200

Mechanical Joint Restraint on Large Diameter C905 PVC Pipe



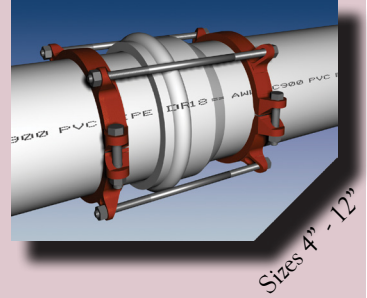
Series 1500

Bell Restraint Harness for C900 PVC Pipe



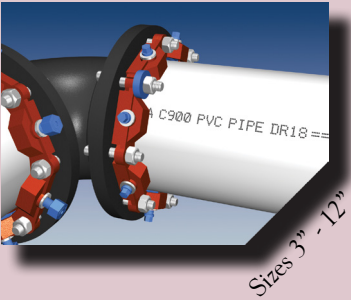
Series 1900

Bell Restraint Harness for C900 and C909 PVC Pipe



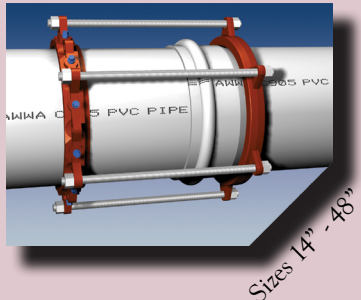
Series 2000SV

Restraint for Existing Mechanical Joints on C900 and IPS PVC Pipe



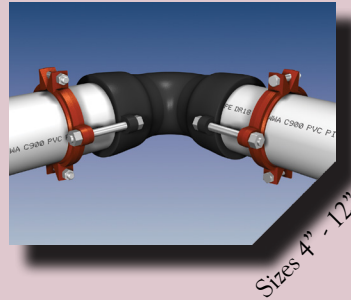
Series 2800

Bell Restraint Harness for C905 PVC Pipe



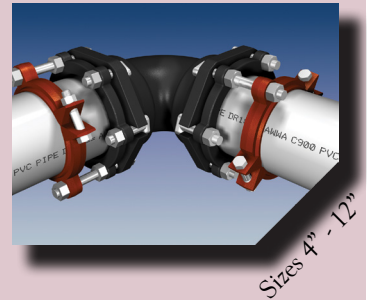
Series 15PF00

Restraint for C900 PVC Pipe at Push-On Fittings



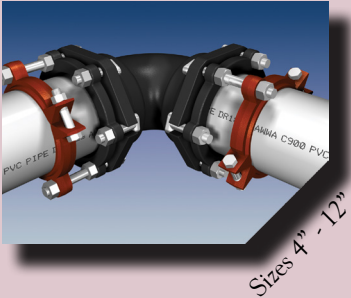
Series 65MJ00

Restraint for IPS OD PVC Pipe at Mechanical Joint Fittings



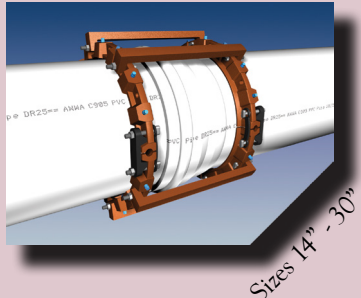
Series 15MJ00

Restraint for C900 PVC Pipe at Mechanical Joint Fittings



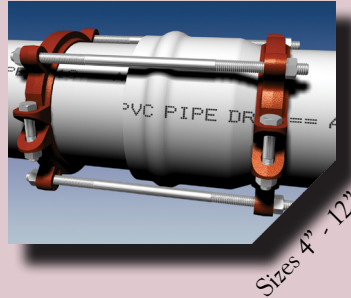
Series 1100HV

Restraint for Existing Push-On Joints on C905 PVC Pipe



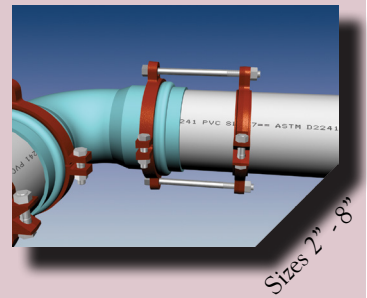
Series 1600

Bell Restraint Harness for C900 PVC Pipe



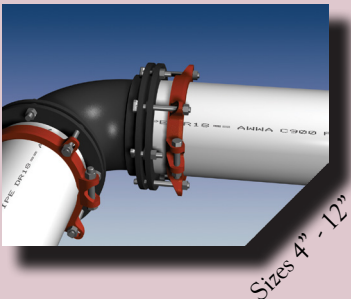
Series 7500

Restraint for IPS OD (Class) PVC Pipe at PVC Fittings



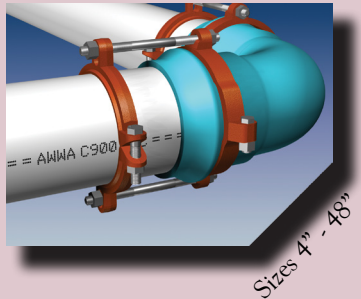
Series 19MJ00

Restraint for C909 PVC Pipe at Mechanical Joint Fittings



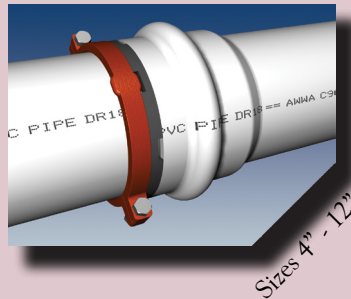
Series 2500

Restraint for PVC Pipe at PVC Fittings



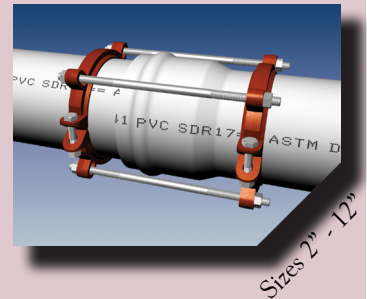
Series 5000

PVC Bell Protection System



Series 6500

Bell Restraint Harness for IPS OD (Class) PVC Pipe

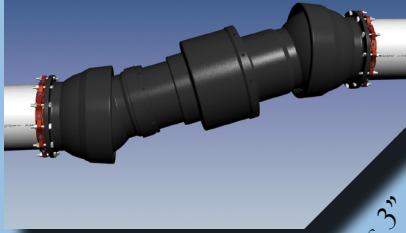


FLEX-TEND

FLEX-TEND®

Flexible Expansion Contraction Joint

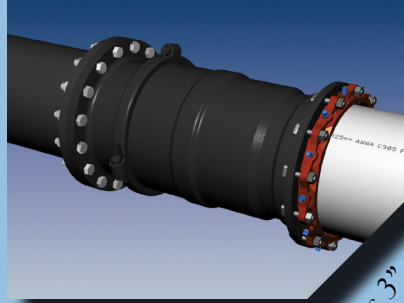
Now available in a **FORCE BALANCE** configuration. See the web site for more information.



Sizes 3" - 48"

EX-TEND®

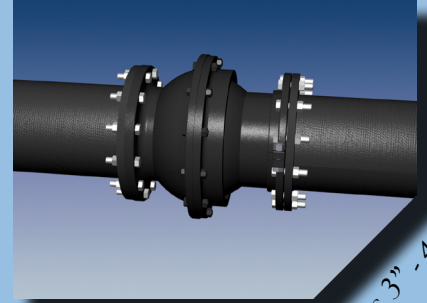
Expansion Contraction Joint



Sizes 3" - 24"

FLEX-900®

Flexible Ball Joint



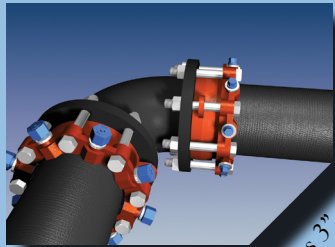
Sizes 3" - 48"

Flange Adapter

Series 2100

Restrained Flange Adapter

MEGAFLANGE®



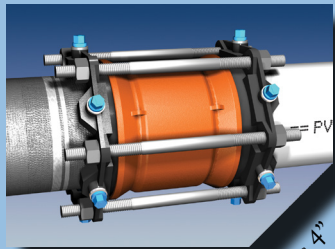
Sizes 3" - 48"

Coupling

Series 3800

Restrained Coupling

MEGA-COUPLING®



Sizes 4" - 54"

Dual Pipe Restraints

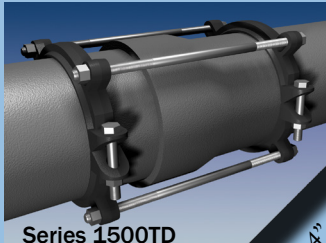
Series 1500TD

Series 1600TD

Series 15PF00TD

Restraint Harness for both Ductile Iron Pipe and C900 PVC Pipe

TRU-DUAL®



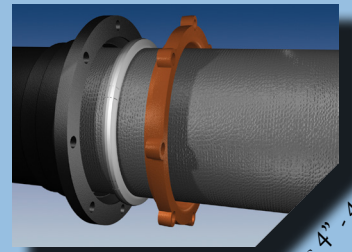
Series 1500TD

Sizes 4" - 12"

M.J. Gaskets

EBAA-Seal™

Improved Mechanical Joint Gasket



Sizes 4" - 48"

Meter Covers

EBAA-COVER™

Ductile Iron Meter Cover



EBAA IRON Sales, Inc.

P.O. Box 857, Eastland, TX 76448

Tel: (254) 629-1731

Fax: (254) 629-8931

(800) 433-1716 within US and Canada

www.ebaa.com

contact@ebaa.com

